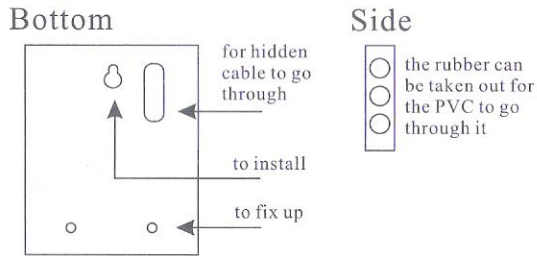
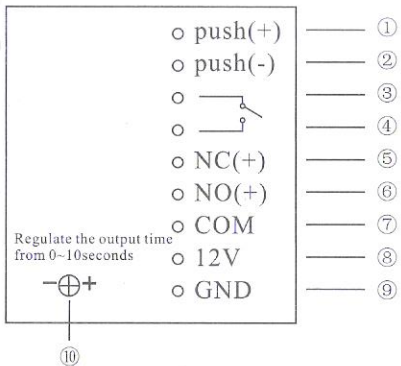
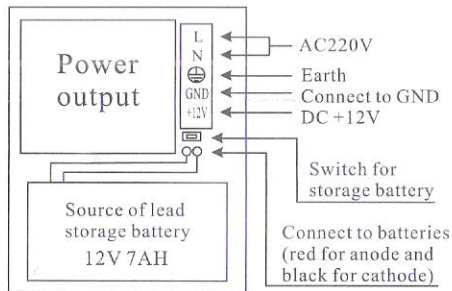


PS49-3 PSU 3Amp Power Store for Access Control User's Manual

1. Assembly:



2. Connection:



- ① Signal connector of high frequency cable
- ② Signal connector of low frequency cable
- ③ - ④ Button to open the door
- ⑤ Anode of electric lock, for power off

- ⑥ Anode of electric lock, for power on
- ⑦ Common
- ⑧ Anode of output power +12VDC
- ⑨ Ground
- ⑩ Regulate to delay the output time from 0-10 seconds

3. Specification:

Input power: 190-265V AC @ 50-60Hz
 Output power: 12V DC 15% tolerance
 Output Current: 3Amp Maximum
 Standby Battery: 12V 7AH

4. Electrical Features:

- Output short-circuit protection
- Output Current-limiting and Over-voltage protection
- Separate Standby Battery circuit with fast changeover
- Standby Battery voltage shutdown below 10.8VDC

5. Operation:

Use a suitably rated plug and lead of the input power specification, and ensure a proper connection to Earth at all times.

Ensure the AC Input power is off before working with the unit.

First connect the Standby battery to the leads provided (red=Positive). Press the reset switch next to the contacts to connect the power from the battery. If the unit does not maintain power, the battery voltage is below use and should be replaced. Close up the unit and switch on the AC Input.

The Unit will supply a constant voltage to the Output contacts as specified. In the event of a short circuit to the output, the unit will drop the voltage until the fault is corrected, and immediately reset the voltage thereafter. The same applies when exceeding the current specification.

The standby battery is monitored for a low voltage. The battery is disconnected by the unit in the event of it being below 10.8VDC, and reconnected with the presence of the Input AC power.

To test the working of the unit, switch off the AC Input voltage and observe that it runs correctly from the Standby battery. Restore the AC Input afterwards.