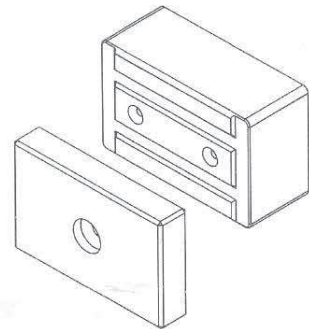


LK132 Electromagnetic Lock Installation Instructions

※ Features

1. Fail-safe (power to lock) electric lock .
2. Use with bracket for different installation to see fit.
3. Power input DC12V, it is also to be used with voltage lower than DC12V.
4. Strong holding force. DC3V is able to obtain 15kg holding force.
5. Low power consumption with high efficiency, noise-free.



※ Specifications

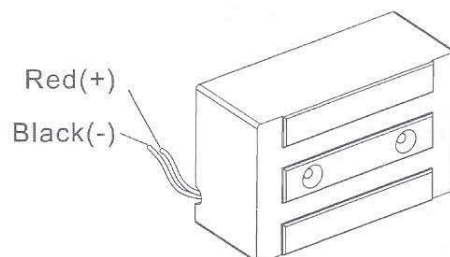
	LK132	Note
Power supply	DC 12V	± 15%
Operation current	150mA / 12VDC	± 15%
Application	Mailbox 、 drawer 、 locker	
Holding force (Max)	170lbs (80Kg) / DC 12V	
Operation temperature	40 °C ± 5 °C (Room temperature of 30 °C)	
Operation environment	Temperature 0-80°C, Humidity 85%Rh max	
Warranty	The warranty is 1 year under normal circumstances	
Weight	635g	

※ Accessories

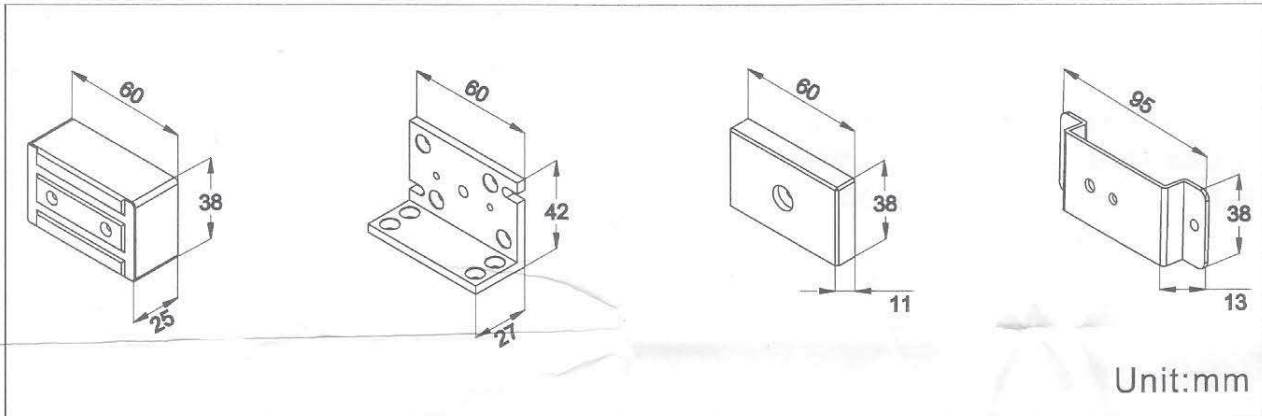
Type	Quantity
1 M3 Allenkey	1
2 Screw M3X30	2
3 Screw M4X16	6
4 Sexnut Bolt	1
5 Screw M3X28	2
6 Screw M3X8	1
7 Screw M3X16	2
8 Guide pins	1
9 Rubber washer	1

× 1 Body × 1 Armature
 × 1 Bracket × 1 Armature Bracket

※ Connection Diagram

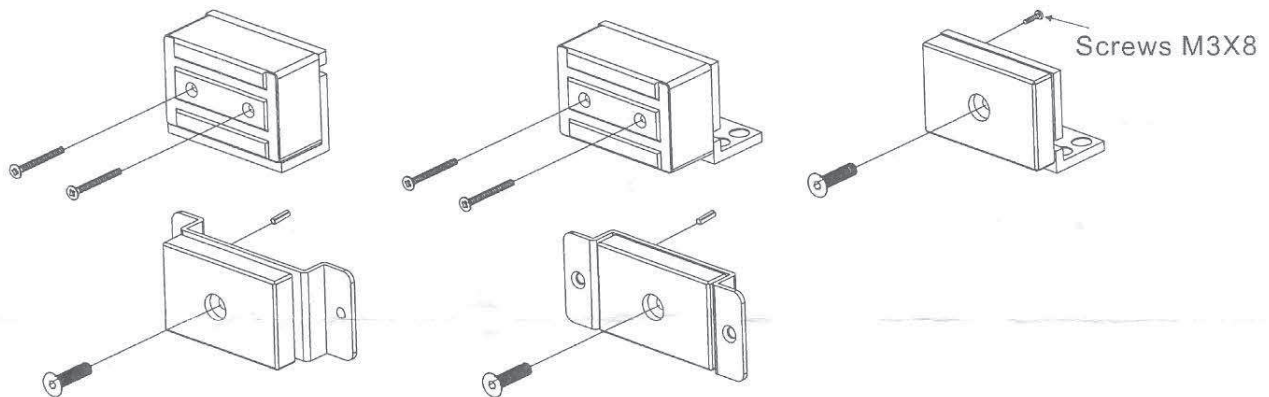


※ Dimensions:



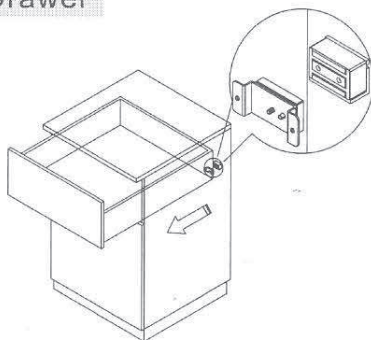
※ Installation:

5 installation methods available according to the environment.

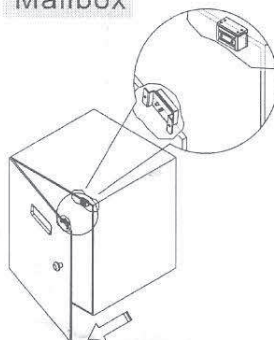


※ Examples of installation

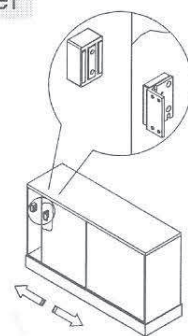
Drawer



Mailbox



Locker



Question & answer

◆ Door is not locked tightly.

1. Check if the voltage is correct. 2. Check if the setting of voltage is correct.
3. Check if the magnetic lock and armature are engaged tightly.

◆ Maintenance of the magnetic lock.

1. Any dust or rust should be removed regularly.
2. Lubricant should be apply on the magnetic lock to avoid any rust depending on the environment it is installed (such as at the seaside).